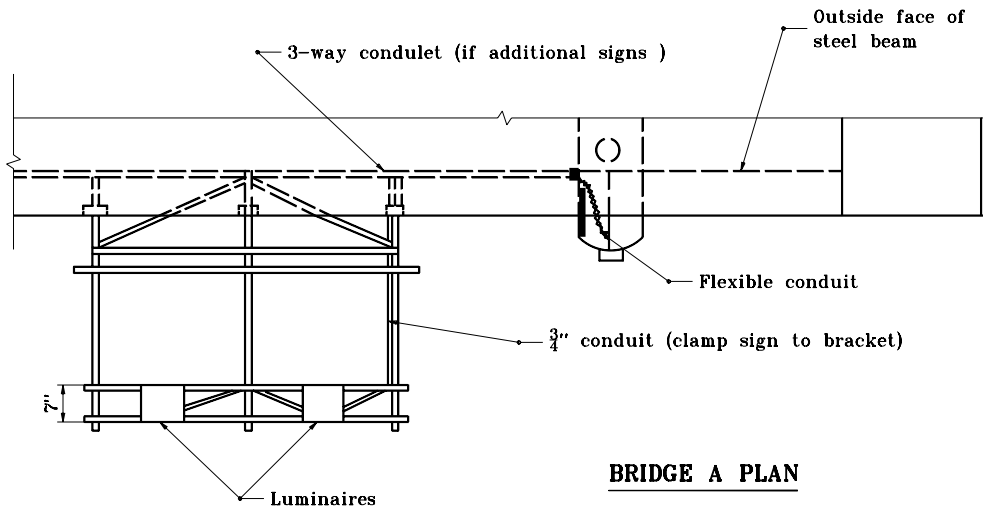
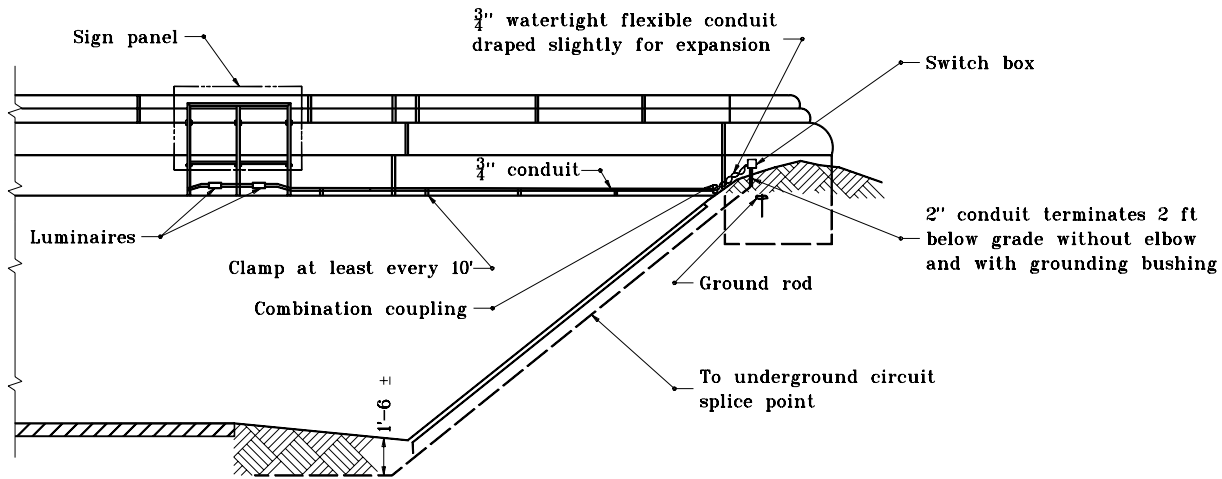


BRIDGE A

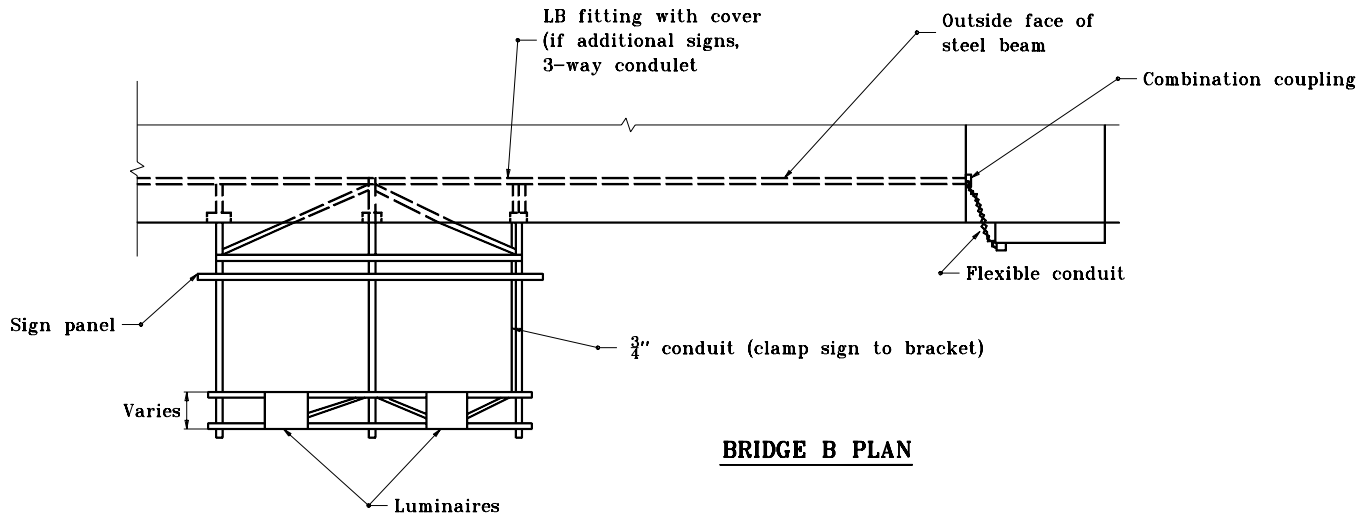


BRIDGE A PLAN

INDIANA DEPARTMENT OF TRANSPORTATION	
SIGN ILLUMINATION DETAILS	
SEPTEMBER 2001	
STANDARD DRAWING NO. E 802-SNIL-01	
	<i>/s/ Anthony L. Uremovich</i> 9-04-01 DESIGN STANDARDS ENGINEER DATE
	<i>/s/ Firooz Zandi</i> 9-04-01 CHIEF HIGHWAY ENGINEER DATE
DESIGN STANDARDS ENGINEER	



BRIDGE B

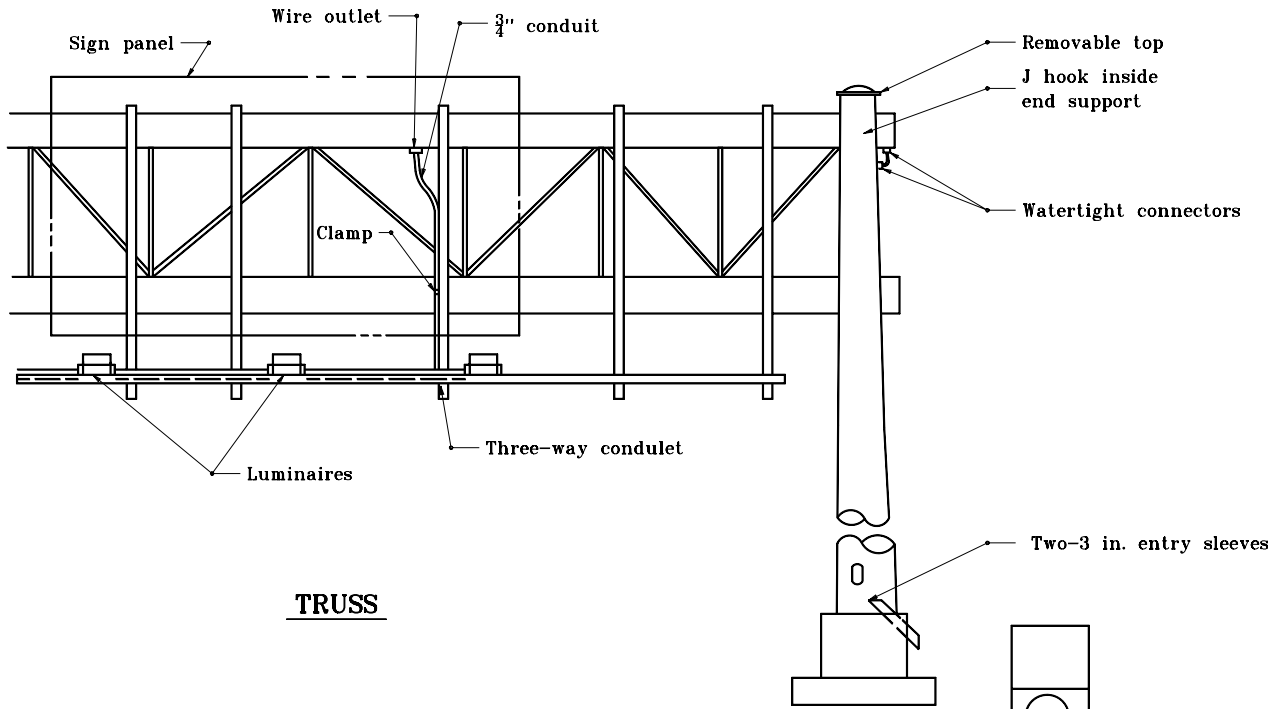


BRIDGE B PLAN

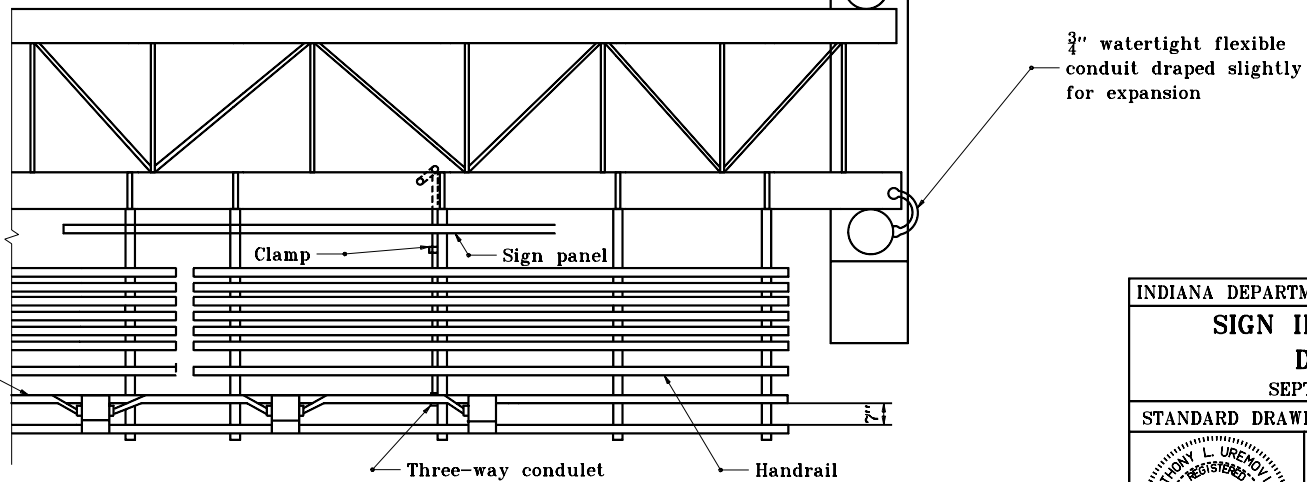
INDIANA DEPARTMENT OF TRANSPORTATION	
SIGN ILLUMINATION DETAILS	
SEPTEMBER 2001	
STANDARD DRAWING NO. E 802-SNIL-02	
	/s/ Anthony L. Uremovich 9-04-01 <small>DESIGN STANDARDS ENGINEER DATE</small>
	/s/ Firooz Zandi 9-04-01 <small>CHIEF HIGHWAY ENGINEER DATE</small>
<small>DESIGN STANDARDS ENGINEER</small>	

GENERAL NOTES

1. For grating details see Std. Dwg. No. E 802-SNWW-02.



TRUSS



Lay 3/4" conduit on channel and clamp at intervals not exceeding 10'

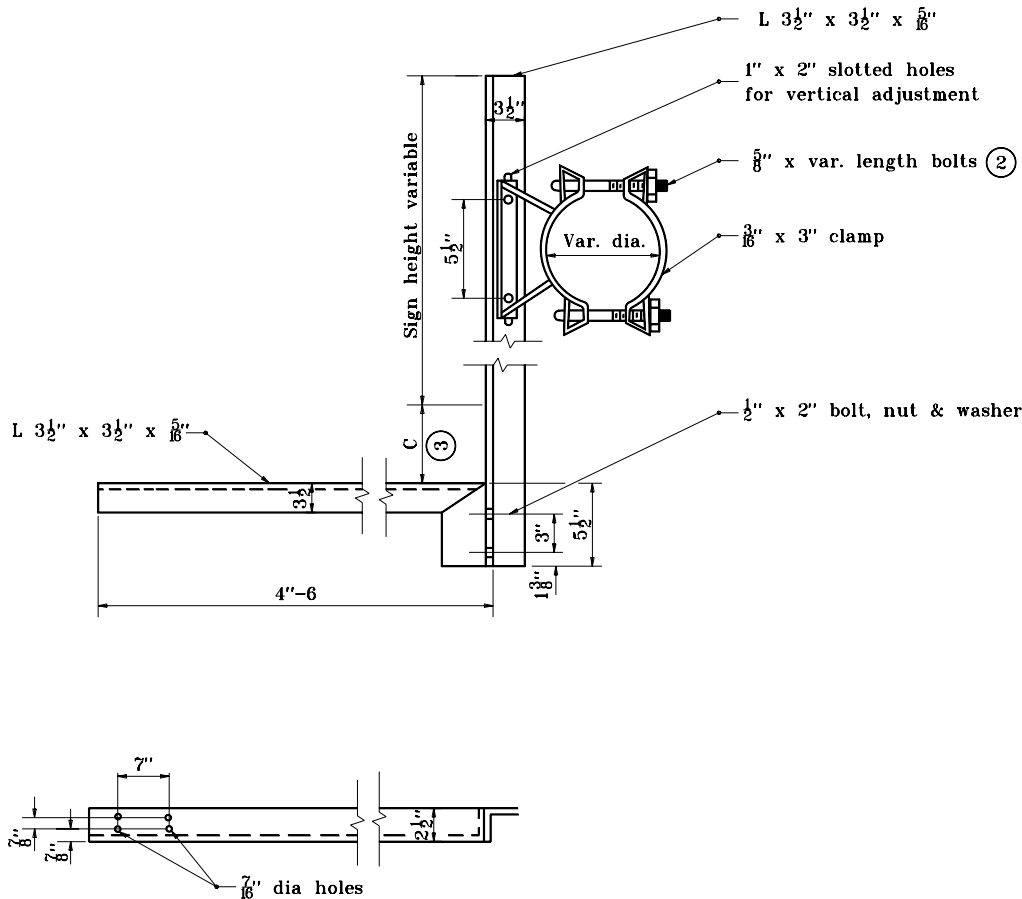
Top View

TRUSS PLAN

INDIANA DEPARTMENT OF TRANSPORTATION	
SIGN ILLUMINATION	
DETAILS	
SEPTEMBER 2001	
STANDARD DRAWING NO. E 802-SNIL-03	
	/s/ Anthony L. Uremovich 9-04-01 DESIGN STANDARDS ENGINEER DATE
	/s/ Firooz Zandi 9-04-01 CHIEF HIGHWAY ENGINEER DATE
DESIGN STANDARDS ENGINEER	

GENERAL NOTES

1. Alternate right and left hand sign brackets required. (See typical plan)
- ② See Standard Drawing E 802-SNIL-07 for Conduit-Lighting Detail.
- ③ Dimension governed by type of lighting fixture used. The contractor shall advise the fabricator of this dimension.

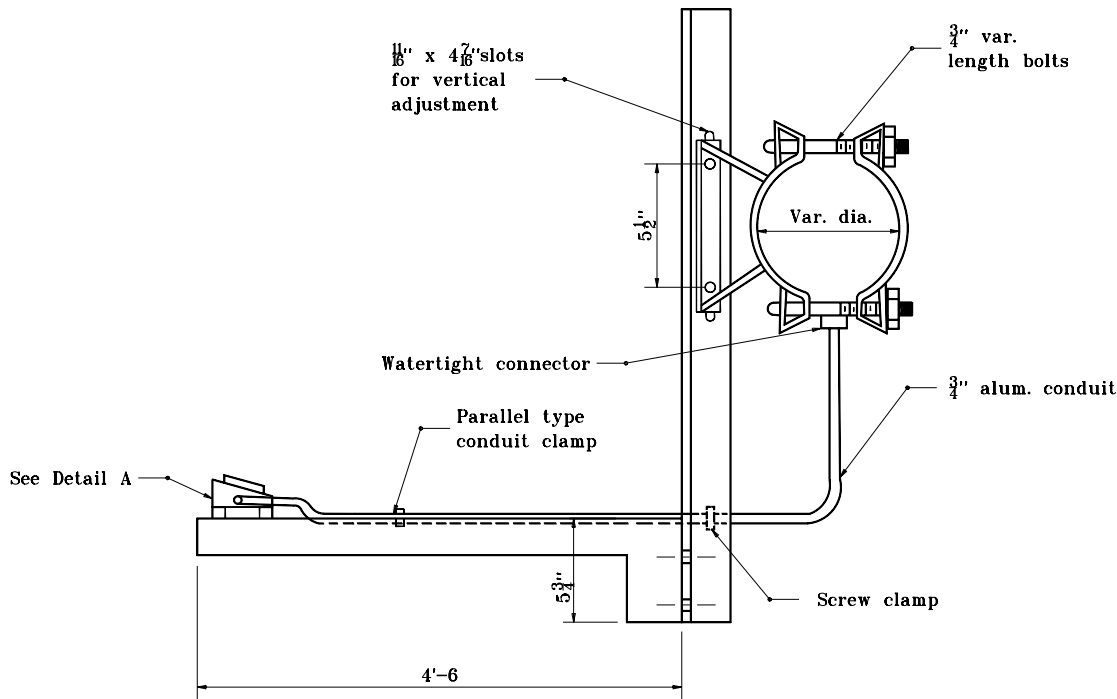


**SIGN BRACKET WITH EXTENSION LIGHTING SUPPORT
(FOR SINGLE ARM OR BEAM)**

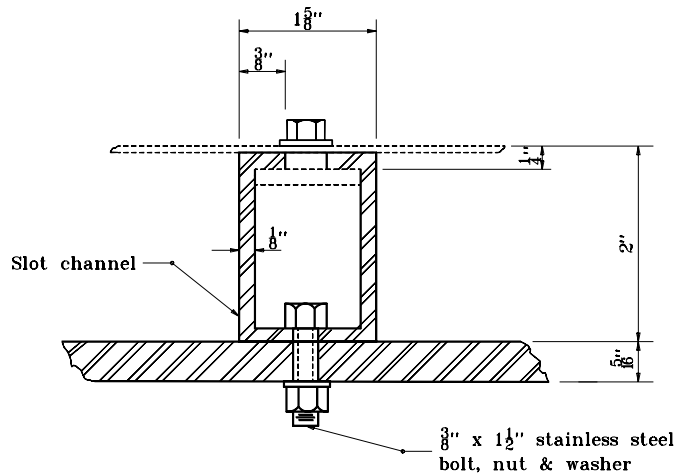
INDIANA DEPARTMENT OF TRANSPORTATION	
SIGN BRACKET WITH EXTENSION LIGHTING SUPPORT	
SEPTEMBER 2001	
STANDARD DRAWING NO. E 802-SNIL-06	
	/s/ Anthony L. Uremovich 9-04-01 DESIGN STANDARDS ENGINEER DATE
	/s/ Firooz Zandi 9-04-01 CHIEF HIGHWAY ENGINEER DATE
DESIGN STANDARDS ENGINEER	

GENERAL NOTES

1. For connection details see Sign Wiring Details on the plans.



CONDUIT / LIGHTING DETAIL
(For single arm or beam sign bracket)



DETAIL A

INDIANA DEPARTMENT OF TRANSPORTATION	
CONDUIT / LIGHTING	
SEPTEMBER 2001	
STANDARD DRAWING NO. E 802-SNIL-07	
	/s/ Anthony L. Uremovich 9-04-01 DESIGN STANDARDS ENGINEER DATE
	/s/ Firooz Zandi 9-04-01 CHIEF HIGHWAY ENGINEER DATE
DESIGN STANDARDS ENGINEER	